

CHB-FB090/092 系列青铜卷制轴承 Monometallic Self-lubricating Bearing

◎ CHB-FB090 青铜卷制轴承/Monometallic Self-lubricating Bearing

该产品以特殊配方的高密度铜合金带材为基体，表面轧制菱形油穴或半球形的油穴，具有密度高，承载压力大，耐磨性能好，使用寿命长。产品被广泛应用于起重机械、建筑机械、机床工业、采矿机械等领域。

CHB-FB090 Bronze self-lubricating bearings used a kind of high density bronze alloy of special compositions as base, surface of alloy is rolled diamond type of the oil indents or half ball oil indents, this kind of bearing has higher density, load capacity, well wearing performance, longer lifetime. It has been widely used in many fields, such as hoist machines, building machinery, machine tool industry and mining machinery.

技术参数/Technical Data

性能指标 Performance index		数据 Data
最大承载 P Max Load Capacity	静载 Static load	120N/mm ²
	动载 Dynamic load	40N/mm ²
最高线速度 V Max Sliding Speed		2.5m/s
最高PV值 Max PV Value Limit		2.8N/mm ² · m/s
摩擦系数 μ Friction coefficient		0.08 ~ 0.25
使用温度 Working TEMP		-100°C ~ +200°C
导热系数 Thermal conductivity		60W/m · K
热膨胀系数 Coefficient of thermal expansion		15 × 10 ⁻⁶ /K

材料特性/Material Characteristic

材料 Material	化学成份 Chemical Composition			机械性能 Machine Performance		
	Cu%	Sn%	P%	抗拉强度 Tensile Strength	屈服强度 Yield Point	延伸率 Elongation
CuSn8	Rest	7.0 ~ 9.0	0.03 ~ 0.45	450N/mm ²	250N/mm ²	40%

◎ CHB-FB092 青铜卷制轴承/Monometallic Self-lubricating Bearing

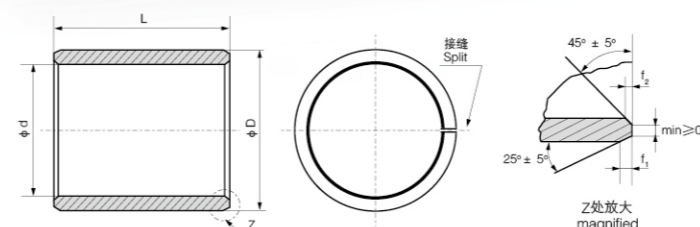
该产品CuSn6.5为基体，工作表面布满有规则油孔，具有承载高、耐磨性能好、摩擦系数低。产品被广泛应用于输送机、升降机、卷扬机、农用机械等。

CHB-FB092 Bronze punch hole self-lubricating bearing used CuSn6.5 as base, designed regular oil holes bestrewn working surface, it has high load capacity, well wearing resistance and low friction coefficient, it has been widely applied to transportation machinery, elevator, coiling machinery and agriculture equipment.

技术参数/Technical Data

性能指标 Performance index		数据 Data
最大承载 P Max Load Capacity	静载 Static load	110N/mm ²
	动载 Dynamic load	30N/mm ²
最高线速度 V Max Sliding Speed		2.5m/s
最高PV值 Max PV Value Limit		2.8N/mm ² · m/s
摩擦系数 μ Friction coefficient		0.08 ~ 0.25
使用温度 Working TEMP		-100°C ~ +200°C
导热系数 Thermal conductivity		60W/m · K
热膨胀系数 Coefficient of thermal expansion		15 × 10 ⁻⁶ /K

CHB-FB090/092 标准公制轴承 Metric Standard Bushing



单位unit:mm

外径 φD	内径 φd	相配轴径 Axle		相配座孔 Housing		f ₁	f ₂	L ± 0.25							
		尺寸	公差 f7	尺寸	公差 H7			10	15	20	25	30	40	50	
12	10	10	-0.013 -0.028	12	+0.018 0			1010	1015	1020					
14	12	12	-0.016 -0.034	14	+0.018 0			1210	1215	1220					
16	14	14	-0.016 -0.034	16	+0.018 0				1415	1420					
17	15	15	-0.016 -0.034	17	+0.018 0	0.6	0.3		1515	1520	1525				
18	16	16	-0.016 -0.034	18	+0.018 0				1615	1620	1625				
19	17	17	-0.016 -0.034	19	+0.021 0				1715	1720	1725				
20	18	18	-0.016 -0.034	20	+0.021 0				1815	1820	1825				
23	20	20	-0.020 -0.041	23	+0.021 0				2015	2020	2025	2030			
25	22	22	-0.020 -0.041	25	+0.021 0	0.8	0.4		2215	2220	2225	2230			
27	24	24	-0.020 -0.041	27	+0.021 0					2420	2425	2430			
28	25	25	-0.020 -0.041	28	+0.021 0					2520	2525	2530			
32	28	28	-0.020 -0.041	32	+0.025 0					2820	2825	2830			
34	30	30	-0.020 -0.041	34	+0.025 0					3020	3025	3030	3040		
36	32	32	-0.025 -0.050	36	+0.025 0	1.2	0.6			3220	3225	3230	3240		
39	35	35	-0.025 -0.050	39	+0.025 0					3520	3525	3530	3540		
44	40	40	-0.025 -0.050	44	+0.025 0					4020	4025	4030	4040		
50	45	45	-0.025 -0.050	50	+0.025 0					4520	4525	4530	4540		
55	50	50	-0.025 -0.050	55	+0.030 0								5030	5040	5050
60	55	55	-0.030 -0.060	60	+0.030 0	1.6	0.8						5530	5540	5550
65	60	60	-0.030 -0.060	65	+0.030 0								6030	6040	6050
70	65	65	-0.030 -0.060	70	+0.030 0								6530	6540	6550
75	70	70	-0.030 -0.060	75	+0.030 0								7030	7040	7050



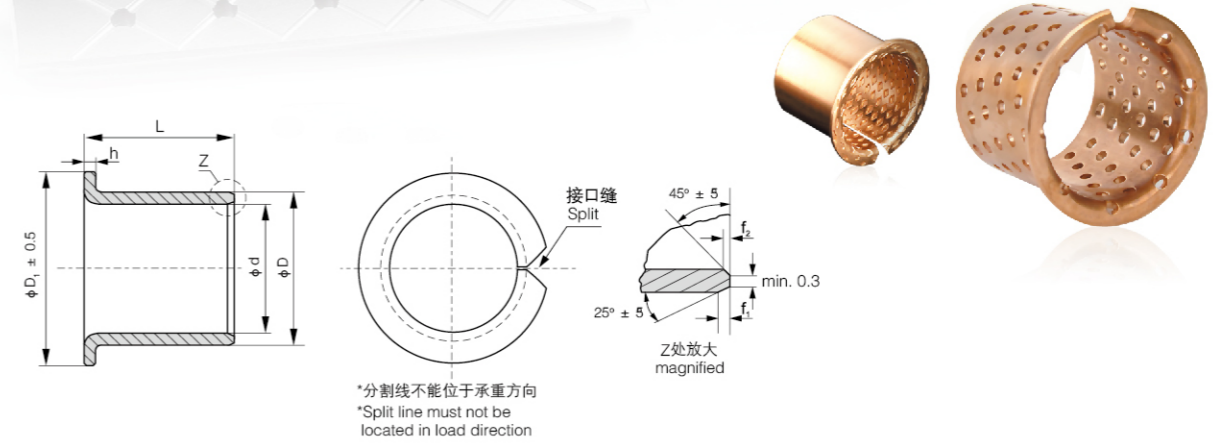
Catalog No. — d — L
CHB-FB090 — 15 — 15

CHB-FB090/092 标准公制轴承
Metric Standard Bushing

单位 unit:mm

外径 φD	内径 φd	相配轴径 Axle		相配座孔 Housing		f ₁	f ₂	L ± 0.25							
		尺寸	公差 f7	尺寸	公差 H7			30	40	50	60	80	100	120	
75	70	70	-0.030 -0.060	75	+0.030 0			7030	7040	7050					
80	75	75	-0.030 -0.060	80	+0.030 0				7540	7550	7560				
85	80	80	-0.030 -0.060	85	+0.035 0				8040	8050	8060				
90	85	85	-0.036 -0.071	90	+0.035 0				8540	8550	8560				
95	90	90	-0.036 -0.071	95	+0.035 0					9050	9560	9580			
100	95	95	-0.036 -0.071	100	+0.035 0					9550	9560	9580			
105	100	100	-0.036 -0.071	105	+0.035 0					10050	10060	10080	100100		
110	105	105	-0.036 -0.071	110	+0.035 0					10550	10560	10580	105100		
115	110	110	-0.036 -0.071	115	+0.035 0					11050	11060	11080	110100		
120	115	115	-0.036 -0.071	120	+0.035 0					11550	11560	11580	115100		
125	120	120	-0.036 -0.071	125	+0.040 0					12060	12080	12100			
130	125	125	-0.043 -0.083	130	+0.040 0					12560	12580	125100			
135	130	130	-0.043 -0.083	135	+0.040 0					13060	13080	130100			
140	135	135	-0.043 -0.083	140	+0.040 0					13560	13580	135100			
145	140	140	-0.043 -0.083	145	+0.040 0	1.6	0.8			14060	14080	140100			
150	145	145	-0.043 -0.083	150	+0.040 0					14560	14580	145100			
160	155	155	-0.043 -0.083	160	+0.040 0							15580	155100	155120	
170	165	165	-0.043 -0.083	170	+0.040 0							16580	165100	165120	
180	175	175	-0.043 -0.083	180	+0.040 0							17580	175100	175120	
190	185	185	-0.050 -0.096	190	+0.046 0							18580	185100	185120	
200	195	195	-0.050 -0.096	200	+0.046 0							19580	195100	195120	
210	205	205	-0.050 -0.096	210	+0.046 0							20580	205100	205120	
220	215	215	-0.050 -0.096	220	+0.046 0							21580	215100	215120	
230	225	225	-0.050 -0.096	230	+0.046 0							22580	225100	225120	
240	235	235	-0.050 -0.096	240	+0.046 0							23580	235100	235120	
250	245	245	-0.050 -0.096	250	+0.046 0							24580	245100	245120	
265	260	260	-0.056 -0.108	265	+0.052 0							26080	260100	260120	
285	280	280	-0.056 -0.108	285	+0.052 0							28080	280100	280120	
305	300	300	-0.056 -0.108	305	+0.052 0							30080	300100	300120	

CHB-FB090F/092F 青铜卷制翻边轴承
Wrapped Bronze Flanged Bushing



单位 unit:mm

内径 φd	外径 φD	法兰外径 φD ₁ ± 0.5	法兰壁厚 h	高度 L ± 0.25	f ₁	f ₂	相配轴径 Axle		相配座孔 Housing	
							尺寸	公差 f7	尺寸	公差 H7
25	28	35	1.5	20	0.8	0.4	25	-0.020 -0.041	28	+0.021 0
				25						
30	34	45		20			30	-0.020 -0.041	34	+0.025 0
				25						
				30						
35	39	50	2.0	30	1.2	0.6	35	-0.025 -0.050	39	+0.025 0
				40						
				50						
40	44	55		30			40	-0.025 -0.050	44	+0.025 0
				40						
				50						
50	55	65		30			50	-0.025 -0.050	55	+0.030 0
				40						
				50						
55	60	70		30			55	-0.030 -0.060	60	+0.030 0
				40						
				50						
60	65	75		40			60	-0.030 -0.060	65	+0.030 0
				50						
				60						
80	85	100	2.5	50	1.6	0.8	80	-0.030 -0.060	85	+0.035 0
				60						
				80						
100	105	120		50			100	-0.036 -0.071	105	+0.035 0
				60						
				80						
160	165	190		60			160	-0.043 -0.083	165	+0.040 0
				80						
200	205	235		60			200	-0.050 -0.096	205	+0.046 0
				80						

Catalog No. — d — L
CHB-FB090F — 25 — 20